

MCB Accessories

- **Signal Lamp**
 - Compliance with IEC 60947-1
 - Various colors
- **Bell**
 - Clear sound
 - Various rated voltage
- **Socket**
 - Compliance with IEC 60884-1
 - Din rail mounting

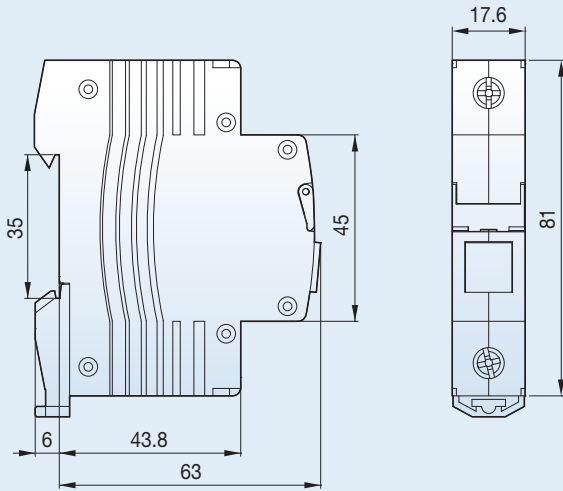


Type	Signal Lamp		Bell	Socket
	MA-SL		MA-B	MA-S
Rated Voltage (V)	230V	230/400V	8, 12, 24, 230V	250V
Rate frequency	50/60HZ		50/60HZ	50/60HZ
Rated current	-		-	16A
Number of Poles	1P	3P	-	-
Light source	LED DIODE		-	-
Rated insulation voltage (Ui)	500V	500V	500V	500V
Rated impulse with stand voltage (Uimp)	-	-	-	5,000V
Max power	0.6W		10W	-
Terminals	Lug type		Lug type	Lug type
Cable termination	1~10mm ²	1~6mm ²	1~6mm ²	1~4mm ²
Torque of screw	M5, 2.0N.m	M4, 1.0N.m	M3.5, 0.8N.m	M4, 1.2N.m
Mount	On 35mm Din rail		On 35mm Din rail	35mm Din rail
Electric endurance	30,000 hours		8,000 times	5,000 times
IP Class	IP20	IP20	IP20	IP20
Operature temperature	-20~+40°C	-20~+40°C	-20~+40°C	-5~+40°C
Size (W×H×D mm)	17.6×81×63	17.6×81×61.6	17.6×81×61.6	44.5×75.5×60
Standard	IEC60947-5-1		-	IEC60884-1
Colors	Red, Green, Yellow	Red-Yellow-Green Red-White-blue	-	-

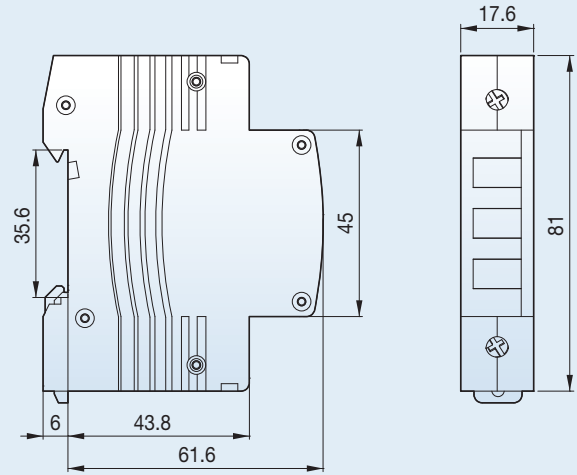
Dimensions

(Unit: mm)

Lamp

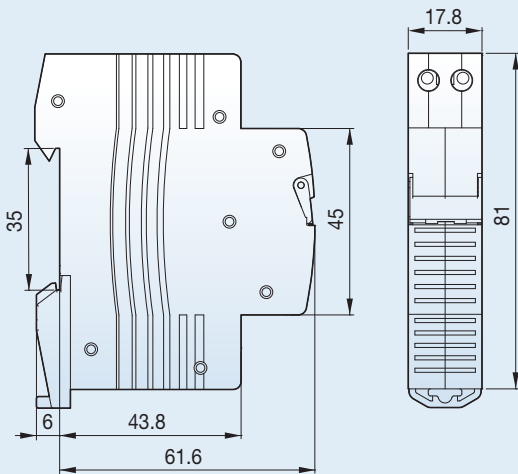


1P



3P

Bell



Socket

