

Soft Starters VersiStart p III [835 – 1250A] 1.23

Features:

- ▣ three-phase controlled digital soft starter (11-600kW)
- ▣ integrated bypass
- ▣ current and torque reduction during acceleration
- ▣ USB port
- ▣ comprehensive and customizable motor protection
- ▣ display graphical LCD – real time graphs of motor operating performance
- ▣ inside delta (6-wire) connection
- ▣ motor PTC connection



Soft Starters
VS p III [835 – 1250A]



Function:

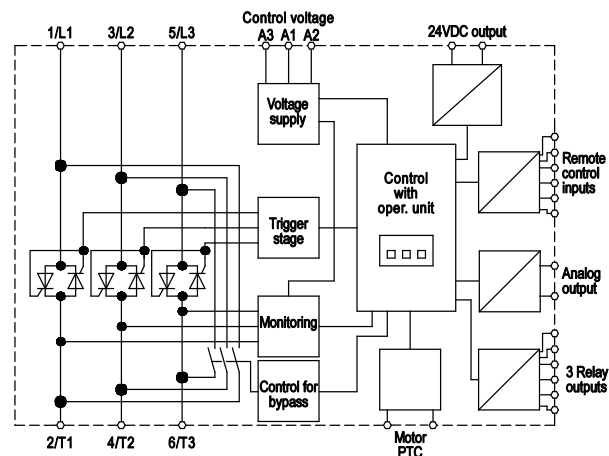
- ▣ adjustable initial start current level up to 600% of nominal rating
- ▣ emergency run
- ▣ 2 motor sets: forward or reverse jog function
- ▣ remote control inputs (2x fixed, 2x programmable)
- ▣ relay inputs (3x programmable)
- ▣ 24VDC output
- ▣ analog output
- ▣ divers soft start/stop control types
- ▣ units with 690V upon request

Typical Applications:

electric pumps, heat pumps, vacuum pumps
ventilators and fans, travelling cranes, extraction systems
compressors, stirrers, centrifuges, saws
conveyors, woodworking machines, grinding machines
textile machines, packaging machines
printing machines, drives with high load

Accessories:

- ▣ Remote Keypad & Cable (29000.2S801)
- ▣ DeviceNet Interface (29000.2S802)
- ▣ Ethernet IP Interface (29000.2S803)
- ▣ ModBus RTU Interface (29000.2S804)
- ▣ ModBus TCP Interface (29000.2S805)
- ▣ Profibus Interface (29000.2S806)
- ▣ Profinet Interface (29000.2S807)
- ▣ Remote Keypad Card (29000.2S808)
- ▣ Remote Keypad, Card & Cable (29000.2S809)
- ▣ SmartCard Pump Application (29000.2S810)

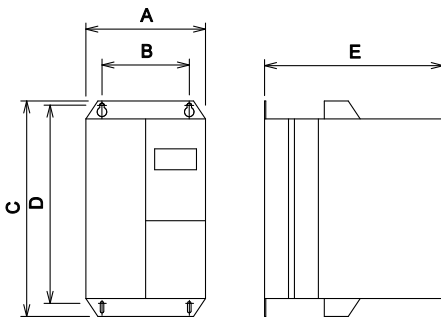


Typical designation	VS p III 525 -				
	835B* C1 / C2	940B C1 / C2	1070B C1 / C2	1230B C1 / C2	1250B C1 / C2
rated device current	835A	940A	1070A	1230A	1250A
operating rated voltage	200-525V 45-66Hz				
control supply voltage	C1: 110VAC; 220VAC -15%/+10% 600mA; C2: 24VDC/24 VAC ±20% 2.8A				
motor rating at Ue 400V	400kW	450kW	500kW	580kW	600kW
order number:					
C1 2S900.5...	835	940	1070	1230	1250
C2 2S901.5...	835	940	1070	1230	1250

*with bypass relay

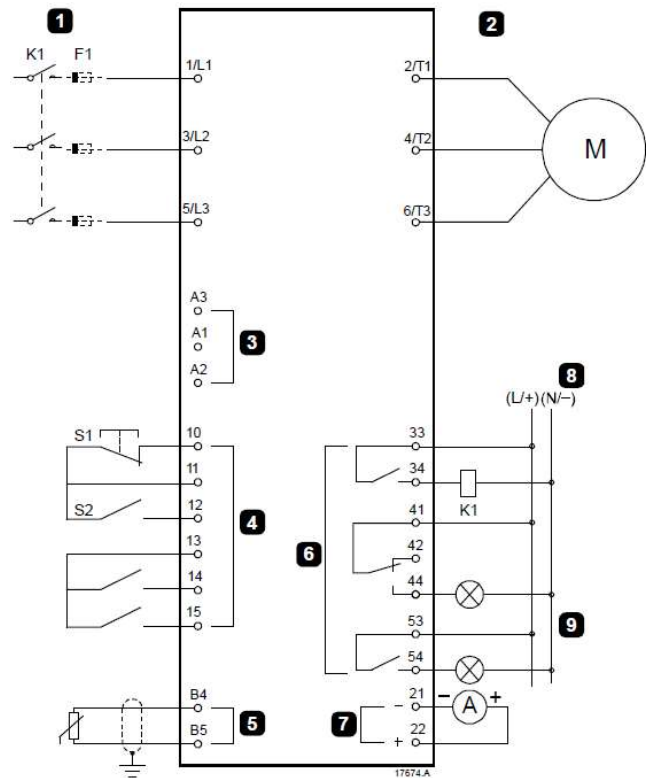
	VS p III 525 -				
Technical data	835B C1 / C2	940B C1 / C2	1070B C1 / C2	1230B C1 / C2	1250B C1 / C2
max. power dissipation - during start - in operation	4,5W per A 120W				
I ² t – value power semiconductors in A ² s	2530000			3920000	7220000
min. motor load	167A	188A	214A	246A	250A
utilization category	AC53b				
EMC	meets EU-standard 89/336/EEC; IEC 60947-4-2 class B; IEC 60947-4-2				
ambient / storage temperature	-25°C up to +60°C (Derating) / -25°C up to +60°C				
inputs	active 24VDC about 8mA, motor PTC (trip >3,6kOhm, reset <1,6kOhm)				
relay outputs	10A at 250VAC resistive, 5A at 250VAC AC15 Lf 0,3				
analog output	0 up to 20mA or 4 up to 20mA				
24VDC output	max. 200mA				
kinds of start	constant current, current ramp, adaptive control, kick start				
kinds of stop	soft stop via voltage drop in an allowed time, DC brake, free deceleration				
adapable protection functions	motor overload, min. current, max. starting time, short-time over-current, current unbalance, mains frequency, phase sequence				
certification	CE, RoHS conform, RCM, Lloyds Register, UL / cUL				
weight / kg	51		62	63	65

Dimensions:



	A (mm)	B (mm)	C (mm)	D (mm)	E (mm)
VS p III...-835	447	287	618	525	310
VS p III...-940	447	287	618	525	310
VS p III...-1070	447	287	618	525	310
VS p III...-1230	447	287	618	525	310
VS p III...-1250	447	287	618	525	310

Connection Diagram:



1	Three-phase supply	K1	Main contactor
2	Motor	F1	Semiconductor fuses (optional)
3	Control voltage (soft starter)	10, 11 (S1)	Reset
4	Digital inputs	11, 12 (S2)	Start/Stop
5	Motor thermistor input	13, 14	Programmable input A (default = Input Trip (N/O))
6	Relay outputs	13, 15	Programmable input B (default = Input Trip (N/O))
7	Analog output	B4, B5	Motor thermistor input
8	Control voltage (external equipment)	33, 34	Main contactor output
9	Pilot lamps	41, 42, 44	Relay output A (default = Run)
		53, 54	Relay output B (default = Trip)
		21, 22	Analog output